

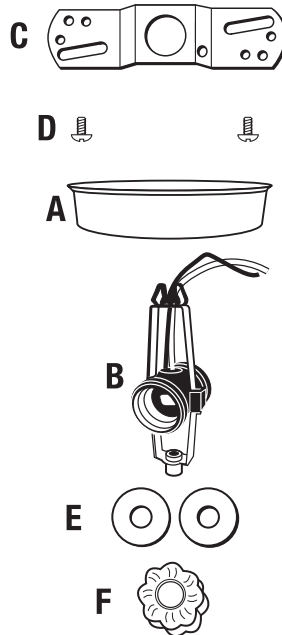
**Twin Cluster Ceiling Kit  
 #60223**

**What's Inside**

- 1 – Canopy (A)
- 1 – Two-Bulb Cluster Socket with 18AWG pre-wired 8" insulated leads. (B)  
 Rated: 250V for use with 2 light bulbs, 50 W Maximum
- 1 – 4" Offset Crossbar (C)
- 2 – 8-32 x 1/2" Mounting Screws (D)
- 2 – 1/8 IP Rubber Washers (E)
- 1 – Lock-up Cap – Brass Finish (F)

**What's Needed**

- 2 – 8-32 X 1 1/2" Mounting Screws
- 2 – Wire Nuts With Metal Threads
- Reflector Glass
- Screwdriver

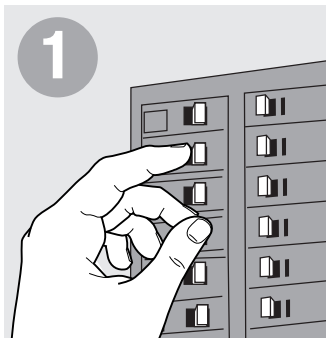


**What's Its Purpose**

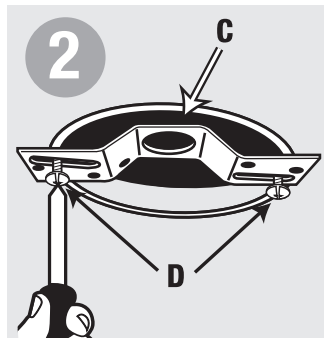
Provides overhead lighting and supports reflector glass.

**Warning**

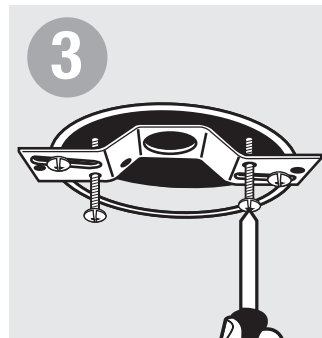
- Before beginning **TURN OFF POWER** to the light from the fuse or circuit breaker.
- Follow local electrical regulations or codes when installing and using this product.
- When installing fixture directly to outlet box, the outlet box must be capable of supporting 50 lbs. and be supported by the building structure.
- Support fixture with crossbar. Do not attempt to support fixture just by wires.
- Installation of wires must be performed by a qualified person.
- Not for outdoor use.
- **CAUTION: RISK OF ELECTRIC SHOCK. RISK OF FIRE.**



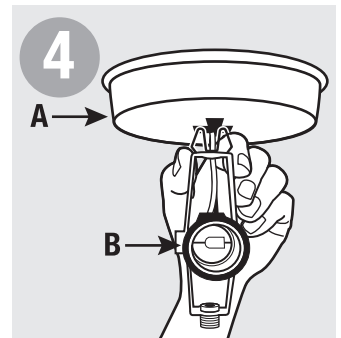
**1**  
 TURN OFF POWER to light from the fuse or circuit breaker



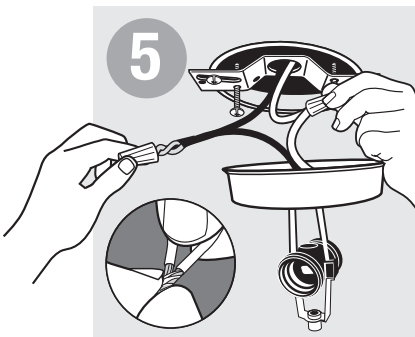
**2**  
 With raised side of crossbar (C) pointed upward, mount to outlet box by inserting 1/2" mounting screws (D) through slots of crossbar. Tighten.



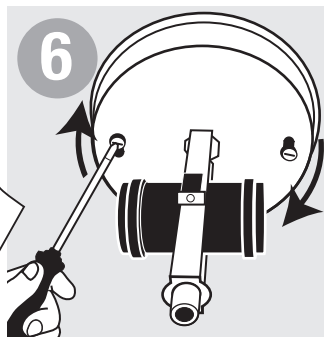
**3**  
 Thread 1 1/2" mounting screws only 1/8" into crossbar holes.



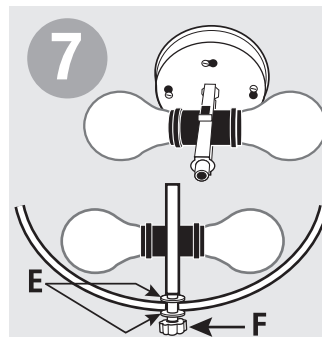
**4**  
 Insert wires from twin light cluster socket (B) into center hole in bottom of canopy (A). Snap cluster socket into hole; make sure open end of canopy faces ceiling.



**5**  
 Take 1/2" exposed black lead from cluster socket and 1/2" exposed black wire from outlet box and twist together. Secure with wire nut with metal threads. Connect white wire from cluster socket to white wire from outlet box in same manner. Pull on wire nuts to make sure wire is secure.



**6**  
 Mount canopy to ceiling by passing heads of 1 1/2" screws through key shaped slots. Turn canopy to lock into place. Tighten screws.



**7**  
 Insert two light bulbs (50 Watt max). Slip rubber washer (E) over nipple. Slide reflector glass over nipple. Secure with washer and then lock-up cap (F).